

MM-601B

Handheld Force Gauge



MM 601B illustrated with optional force sensor MA

The MM-601B force gauge is a compact and mobile battery driven unit designed for quick and convenient force measurement. Combined with a compact force sensor it can be carried around in the production area to measure weld force anywhere.

FORCE SENSOR

Measures a wide range of weld force from 0.20 daN to 931 daN MM-601B detects automatically which sensor is connected.

KEY FEATURES

- Compact, economic and high precision force gauge
- Easy-to-operate
- Measuring unit shows either kg or daN (1 daN=10 N)
- Instant zero reset
- Cover panel is dust- and oil-proof

TYPICAL APPLICATIONS

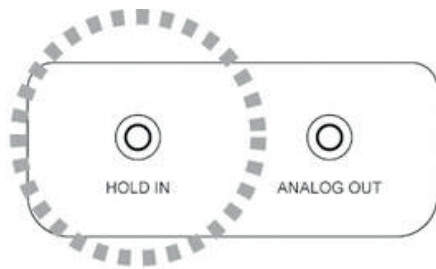


MA-521/MA522



EXTERNAL INPUT FOR MEASUREMENT HOLD

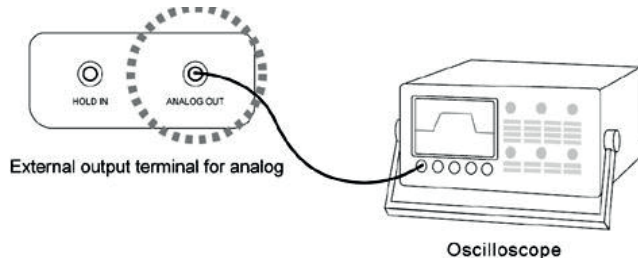
Connected to a weld head with an external cable for measurement HOLD, when a weld head detects that weld force reaches peak (and a micro switch activates), it automatically becomes HOLD.



External input terminal for measurement HOLD

ANALOG OUTPUT

Weld force can be checked when connected with a measurement device such as an oscilloscope. It shows the timing when weld force becomes stable. It helps setting up an appropriate initial squeeze time.



Oscilloscope

MEASURING RANGE

MA-520 2 – 93.1N	
MA-521 20 – 931N	
MA-522 200 – 9310N	

TECHNICAL SPECIFICATIONS

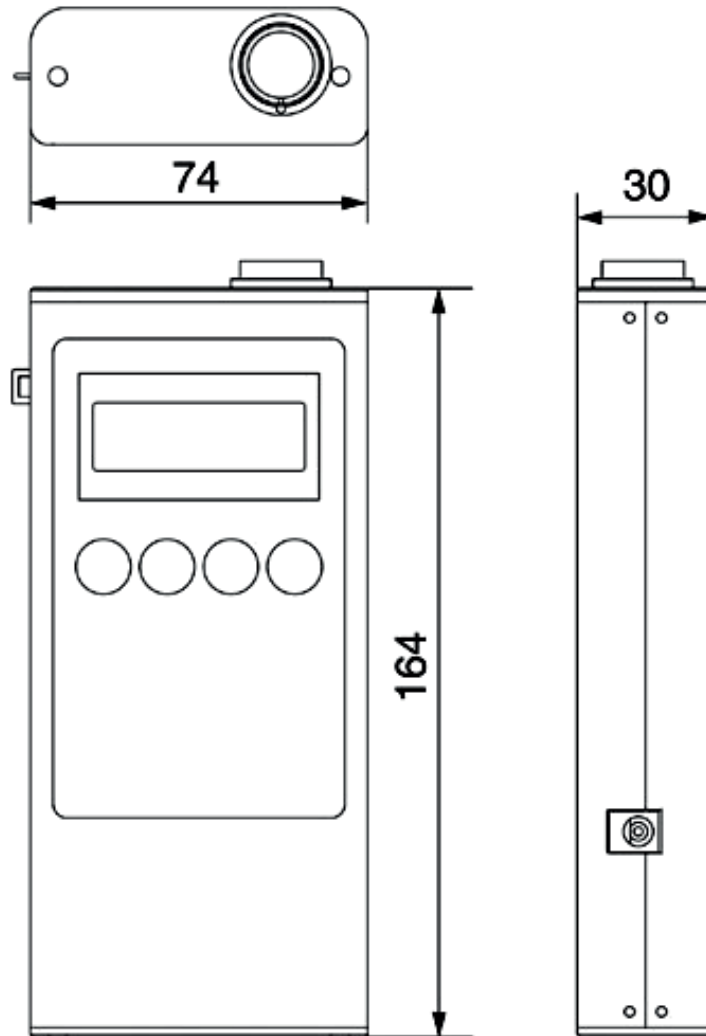
Model	MM-601B
Measuring range	0.20 – 9.50 kgf / 0.20 – 9.31 daN (MA-520)
	2.00 – 95.0 kgf / 2.00 – 93.1 daN (MA-521)
	20.0 – 950 kgf / 20.0 – 931 daN (MA-522)
Measurement accuracy	+/- 5% of full scale
Display	Decimal point & unit: Automatically display depending on measuring range. (kg/daN selectable)
	Overload: Display "OVER!!" and sound intermittent buzzer
	Charging alert: "BATTERY" flashes (After flashing seven times, power is turned off automatically.)
Auto power OFF	Turn off the power after seven minutes without any key operation.
	When not connected with a sensor, automatically turn the power off after three minutes.
External input for measurement HOLD	
Analog output	Output voltage: 4 mV per count, no-load resistance: 5 kohm or over
Force sensor*	MA-520 / MA-521 / MA-522
Ambient temperature	0 to 40 °C
Power requirements	Nickel hydrate battery 1.2 V x 4 pc. (4.8 V)

Model	MA-520	MA-521	MA-522
Measuring range	0.20 – 9.31 daN	2.00 – 93.1 daN	20.0 – 931 daN
SWL	9.31 daN	93.1 daN	931 daN
AL	1.5 times of SWL		
Measurement accuracy	+/-3% of SWL		
Weight	200 g		250 g

WEIGHT & DIMENSIONS

Dimensions in mm

MM 601B = 500g 4 NiHy batteries included



Lindberghstrasse 1 • DE-82178 Puchheim, Germany
T: +49 (0) 89 83 94 030 • Fax : +49 (0) 89 839403 68
infode@amadamiyachi.eu • www.amadamiyachieurope.com
ISO 9001 Certified Company



EUROPE

Amada Miyachi Europe BV
Helmond, The Netherlands
T: +31 (0) 492 542 225
info@amadamiyachi.eu

Amada Miyachi Europe Kft.
Budapest, Hungary
T: +36 1 431 9927
infohu@amadamiyachi.eu

Amada Miyachi Europe
Derby, United Kingdom
T: +44 (0) 1332 361 238
info@amadamiyachi.eu

Amada Miyachi Europe
Saint Germain en Laye, France
T: +33 (0) 139 046 430
infofr@amadamiyachi.eu

Amada Miyachi Europe
Torino, Italy
T: +39 011 223 83 16
infoit@amadamiyachi.eu

Amada Miyachi Europe
Prague-West, Czech Republic
T: +420 251 512 157
info@amadamiyachi.eu

AMERICAS

Amada Miyachi America Inc.
Monrovia, CA, USA
T: +1-626-303-5676
info@amadamiyachi.com

Amada Miyachi do Brasil Ltda.
Sao Paulo, Brasil
T: +55-11-4193-1187
antonio.ruiz@miyachi.com

ASIA

Amada Miyachi Co., Ltd.
Noda, Japan
T: +81-4-7125-6177
sales@miyachi.com

Amada Miyachi Shanghai, Co., Ltd.
Shanghai, China
T: +86-21-6448-6000
zqzhang@msc.miyachi.com

Amada Miyachi Korea Co., Ltd.
Gyeonggi-do, Korea
T: +82-31-8015-6810
dykim@mkc.miyachi.com

Amada Miyachi Taiwan Co., Ltd.
Taipei, Taiwan R.O.C.
T: 886-2-2397-4778
keigaku@miyachi.com

Amada Miyachi (Thailand) Co., Ltd.
Samutprakarn, Thailand
T: +66-2751-9337-8
info@mtl.miyachi.com

Amada Miyachi Vietnam Co., Ltd.
Ho Chi Minh City, Vietnam
T: +84-8-3771-7972

Amada Miyachi India Pvt., Ltd.
Bangalore, Karnataka
info@miyachiindia.com

All data, images and text are subject to change at any time. Amada Miyachi Europe GmbH reserves the right to change, modify, delete and add technical specifications and product details at any time without prior notification. © 2015 Amada Miyachi Europe GmbH.

follow us on:

